

LM3800W

WI-FI MYQ DC PLUG-IN GARAGE DOOR OPENER



Maintenance-free plug-in garage door opener (shaft driven) for sectional doors with torsion spring.

WI-FI & MYQ INTEGRATED

SMART HOME - MYQ

OPERATION VIA
SMARTPHONE POSSIBLE

WARRANTY

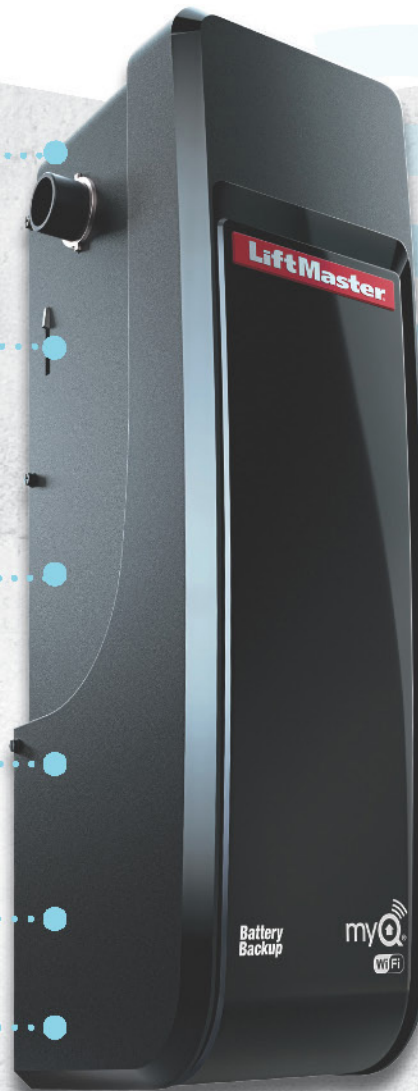
MOTOR: 5 YEARS
CONTROL BOARD: 5 YEARS
ACCESSORIES: 2 YEARS

SILENT DC MOTOR

REDUCES NOISE AND
VIBRATIONS

OPTIONAL BACKUP BATTERY

2,6 W STANDBY CONSUMPTION



1,500
LUMEN
LED LIGHTING

KEY FEATURES

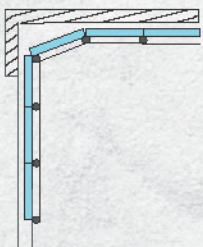
**WALL MOUNT
RESIDENTIAL WI-FI
GARAGE DOOR OPENER**
for quick and easy myQ setup

SPACE-SAVING
design allows
versatile application

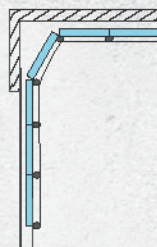
LIFTING POWER
for doors up to 130 kg



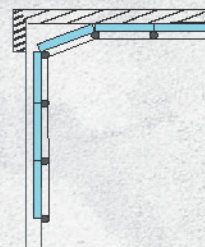
APPLICATION:



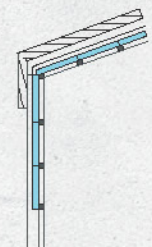
Standard fitting



High lift



Low fitting



Fitting along the roof

INCLUDED

827EV



MYQ RADIO LED LIGHTING

Low power, long-lasting LED lighting for flexible positioning (1,500 lm).

041-0003



COUPLING

Secure connection between the shaft and the drive.

841EU



E-LOCK 12V

Automatically locks the garage door every time you closed it.

TX4EVF



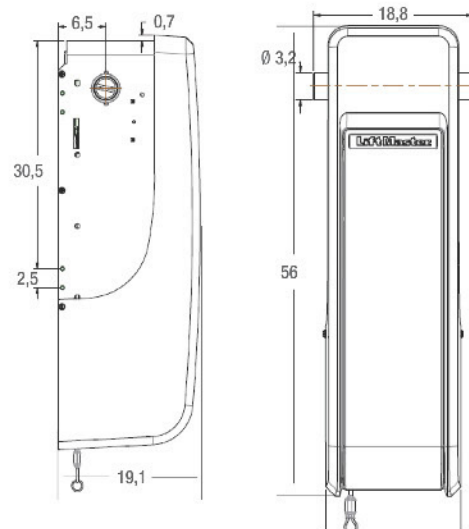
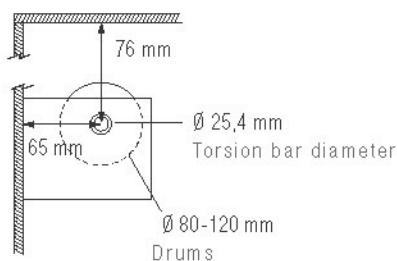
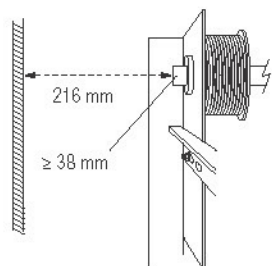
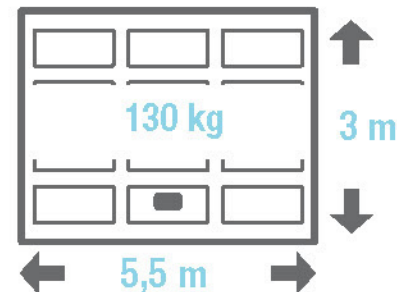
4-CHANNEL REMOTE CONTROL ON 868 MHz

For up to 4 drives.

TECHNICAL DATA

LM3800W

| | |
|---------------------------|--|
| Input voltage | 230-240 VAC, 50 Hz |
| Max. torque | 36 Nm - AC + BATTERY 29 Nm - only AC |
| Nominal torque | 10 Nm |
| Power | 150 W |
| Standby | 2.6 W |
| Motor type | DC geared motor with permanent lubrication |
| Noise levels | 57 dB |
| Travel speed | 21 r/min (down), 36 r/min (up) |
| Safety functions | Automatic reversing during downward travel Automatic stop during upward travel |
| Electronic | Automatic force detection and obstacle detection |
| Electrical | Transformer overload protection and low voltage push-button wiring |
| Limit switch | Electronic |
| Start circuit | low voltage push-button circuit |
| Max. door height | 3 m |
| Max. door width | 5.5 m |
| Max. door area | 16.5 |
| Max. door weight | 130 kg |
| Weight | 11 kg |
| Receiver storage register | 64 |
| Operating frequency | 433/868 MHz, 2.4 GHz (WI-FI) |
| Installation requirements | Torsion bar diameter \varnothing 25,4 mm Required side clearance min. 216 mm |
| Connectable accessories | Wall control/Keyswitch, Safety sensor, Multifunctional wall control, LED Flashing Light, Cable tension monitor, E-lock (up to 2 locks) |



INNOVATIVE WI-FI TECHNOLOGY.

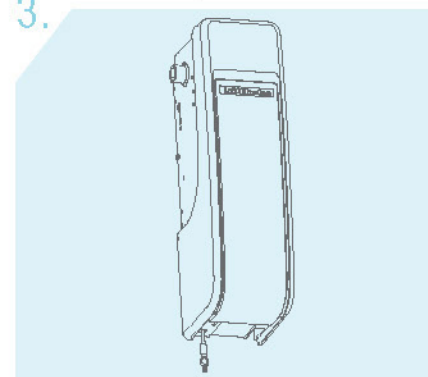
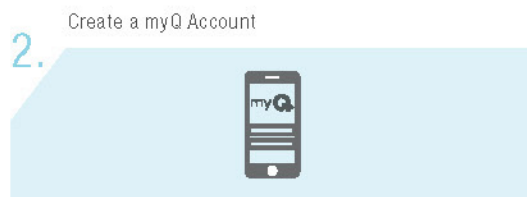
BENEFITS OF TECHNOLOGY:

- quick and easy setup directly on the drive via smartphone or tablet

- NO SEPARATE GATEWAY REQUIRED

INTUITIVE AND FAST SETUP

1. Establish WI-FI connection to the router
2. Create a myQ Account
3. Add drive and get started



FOR MORE INFORMATION, PLEASE VISIT LIFTMASTER.EU

© 2019 LiftMaster all rights reserved
Chamberlain GmbH, Saar-Lor-Lux-Str. 19, D-66115 Saarbrücken
LiftMaster.eu, WEEE-Reg.No. DE66256568
9SLM3800WQ2_V1a

myQ[®] is a registered trademark of the Chamberlain Group
HomeLink[®] is a trademark of Genetex Corporation Wi-Fi[®] is a registered trademark of the Wi-Fi Alliance

www.superjackpro.nl



LiftMaster