

# SCS324BK-EV MYQ DC WING GATE OPERATOR KIT

Maintenance-free, ultra-quiet for gates in residential areas.

## KEY FEATURES

### LINEAR DRIVE

For gates up to 3 m width per wing

### OPENING

For gates up to 250 kg

### EMERGENCY

Release key

### MYQ

Compatible



## SMART

**LINEAR DRIVE SYSTEM** FOR POWERFUL PERFORMANCE.

**SOFT-START AND SOFT-STOP** FOR SMOOTH OPERATION.

**MYQ MOBILE APP** LETS USERS RECEIVE ALERTS AND CONTROL THE OPENER FROM ANYWHERE.

**PEDESTRIAN MODE PARTIAL** / ONE WING OPENING POSSIBLE.

## QUIET AND RELIABLE

**QUIET DC MOTOR** ELIMINATES NOISE AND VIBRATIONS AND PROVIDES SMOOTH OPERATION.

**OPENING POWER** OPERATES GATES UP TO 250 KG.

**MAINTENANCE-FREE** DRIVE ENSURES QUIET & DURABLE OPERATION.

**WARRANTY** 2 YEARS.

## SECURE & SAFE

**AUTOMATIC GATE OPERATOR** IMPEDES UNAUTHORIZED ACCESS TO THE PROPERTY.

**TIMER-TO-CLOSE** AUTOMATICALLY CLOSES THE GATE AFTER A PRESET AMOUNT OF TIME.

**EVOLUTION RADIO (SECURITY+ 2.0®)** SENDS A NEW CODE WITH EVERY REMOTE CLICK.

**AUTOMATIC FORCE SETTING & OBSTACLE DETECTION.**

**FOR GATES** IN RESIDENTIAL AREAS.

SCS324BK-EV

MYQ DC WING GATE OPERATOR KIT

## INCLUDED ACCESSORIES:

### 4-CHANNEL REMOTE CONTROL

Operates up to 4 openers. Compact to provide quick, easy gate access.



TX4EV

### MYQ CONTROL BOARD

For 24 V wing gate operators. With E-Box, transformer and integrated radio module.



CB124EV

## POWERFUL ADD-ONS:

### INTERNET GATEWAY

MyQ technology that connects to the internet and allows monitoring and operating the gate opener.



828EV

### GATE MONITOR

MyQ® enabled technology allows monitoring and closing up to four gates from any room in the house.



829EV

### WIRELESS KEYPAD

Provides convenient, secure access from outside the gate with a 4-digit PIN, temporary PIN possible.



747EV

### LED FLASHING LIGHT

Lamp flashes while the drive is in action. Applicable for all garage door and gate door openers.



FLA1-LED

### FAILSAFE SAFETY SENSOR

2-wire system with LiftMaster signal IP44, range 15 meters.



772E

## MASTERFUL ENGINEERING.

### MOTOR

- Residential 24 V DC
- Automatic Thermal Protection
- Permanent Lubrication

### POWER

- Voltage IN: 230-240 V AC
- Frequency: 50/60 Hz
- Motor Voltage: 24 V DC
- Power Max.: 180 W
- Pulling Force: 250 N

### MECHANICS

- Rotations Speed (arm): 30 mm/s
- Time to Open 90°: ~12 s
- Motor Duty Cycle ED: 100%
- Max. Cycles per Day: 50
- Working Temperatures Range: -20 +55 °C
- Protection Class: I
- Degree of Protection: IP44

## STANDARD SPECS.

### GATE DIMENSIONS

Max. wing width / weight

- 1.5 m / 250 kg
- 2.0 m / 200 kg
- 3.0 m / 150 kg

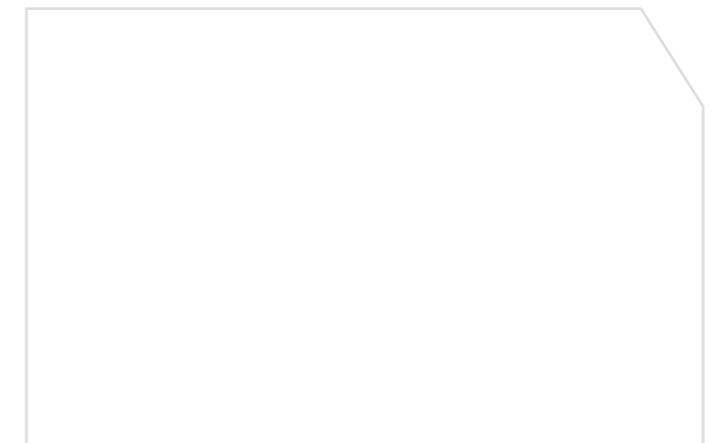
		A						
		10	12	14	16	18	20	22
B	10		115°		110°	105°	100°	
	12		110°	121°	101°	100°	94°	
	14		108°	105°	93°	100°	92°	
	16		106°	95°	87°			
	18			93°				
20								

## SAFETY AND SECURITY.

- Emergency Release Key
- Close Safety Reverse
- Install all equipment in compliance with EN60335-2-103

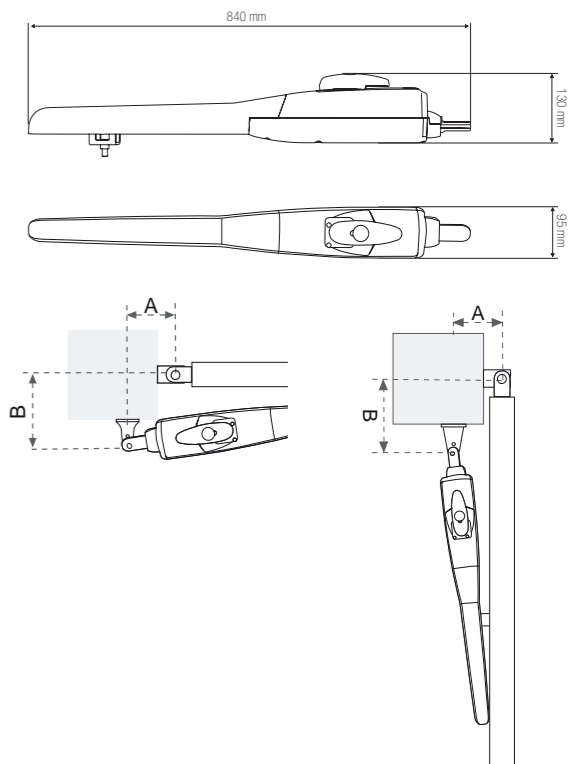


For more information visit us at [liftmaster.eu](http://liftmaster.eu) or contact your local dealer.



250N

MYQ DC GATE OPERATOR KIT  
FOR GATES UP TO 250 KG.



SCS324BK-EV 250N  
MYQ DC GATE OPERATOR KIT  
FOR GATES UP TO 250 KG



LiftMaster

© 2018 LiftMaster All Rights Reserved  
Chamberlain GmbH, Alfred-Nobel-Str. 4, D-66793, Saarwellingen  
LiftMaster.eu, WEEE-Reg.Nr. DE66256568  
MyQ® is a registered trademark of Chamberlain Group  
HomeLink® is a trademark of Gentex Corporation  
9SCS324BK-EV-02